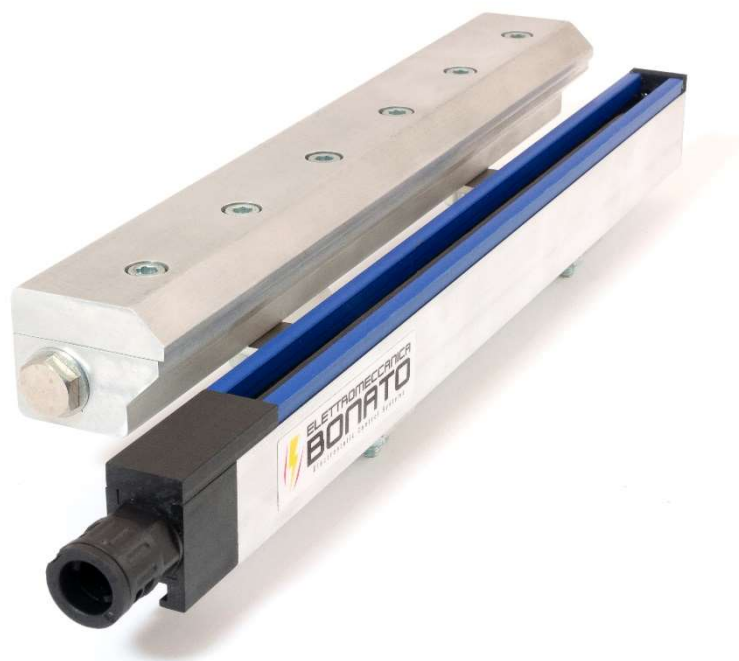


ANTISTATIC BAR **ABSL-RC-AKM**

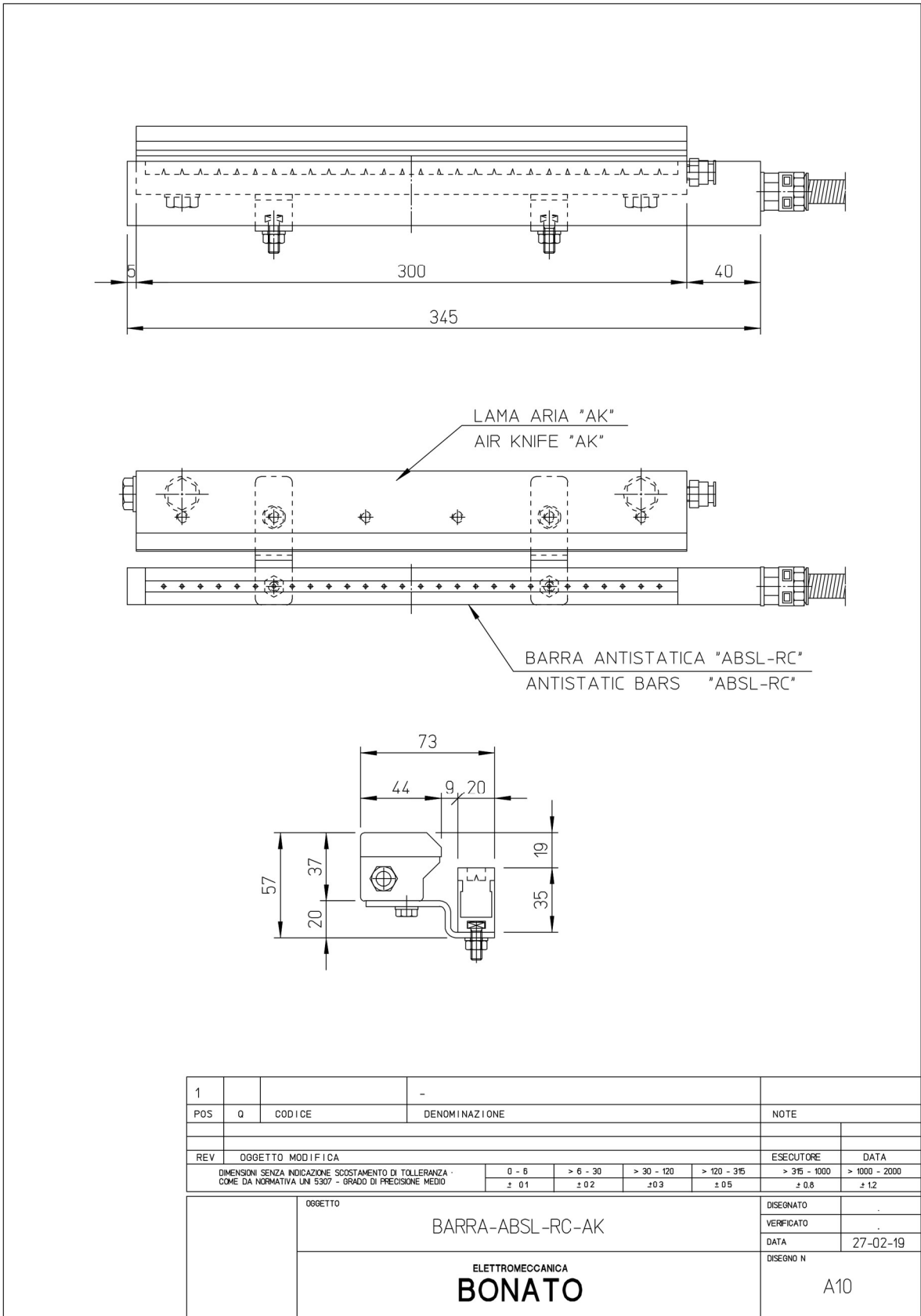


The antistatic bar **ABSL-RC-AKM** is an antistatic bar coupled with an air knife. The air knife is an amplifier of air flow, in effect it amplifies the compressed air flow used from 30 to 40 times, in this way you have a big energy savings in electricity terms for compress air. In these air knives, air goes out from a slot of 0,05 mm and it's ideal for drying and cleaning of the surfaces, moreover, with antistatic bar coupling it eliminates electrostatic charges. The use of the antistatic bar ABSL-RC-AKM finds various applications especially in plastic industry, graphic industry, painting industry, wood industry etc.

ABSL-RC-AKM	
Working distance	1500 mm
Lenght	From 75 mm to 4000 mm
Emitters	stainless steel
Operating voltage	7 KVAC
Power supply	PS1WR/ AF2-4WR
Weight	3,5 kg / m
Operating temperature	0° C - 70° C
Pressure	Max 10 bar adjustable
Air connection	1/4"
Accessories	5 micron filter (compulsory)

ELETTROMECCANICA BONATO

BARRE ANTISTATICHE DISPOSITIVI ANTISTATICI GENERATORI ANTISTATICI
 36010 Carré (Vicenza) ITALY - Via Rostoncello, 25/b T 0445 368178 - F 0445 364371
www.elettromeccanicabonato.it - info@elettromeccanicabonato.it



ELETTROMECCANICA BONATO

BARRE ANTISTATICHE DISPOSITIVI ANTISTATICI GENERATORI ANTISTATICI
 36010 Carré (Vicenza) ITALY - Via Rostoncello, 25/b T 0445 368178 - F 0445 364371
 www.elettromeccanicabonato.it - info@elettromeccanicabonato.it