

ANTISTATIC TUBE **AT-01**



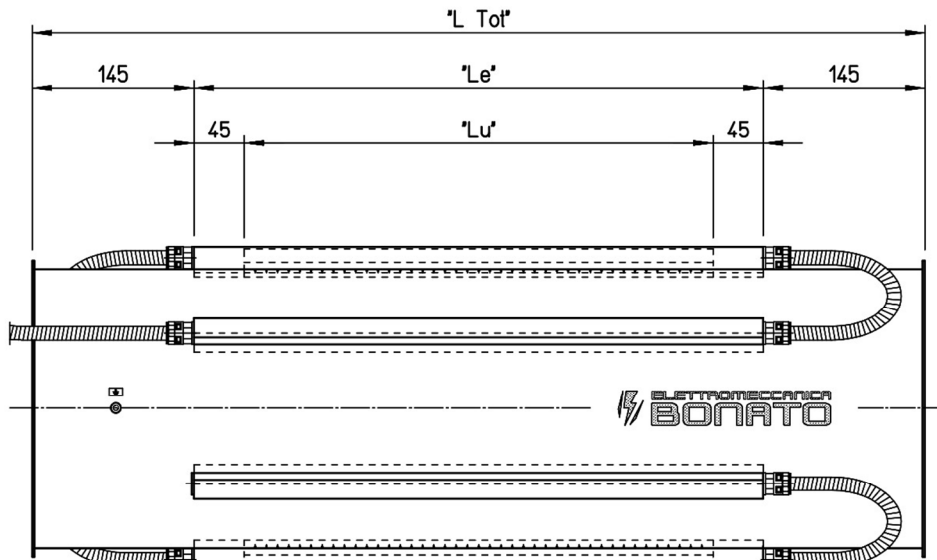
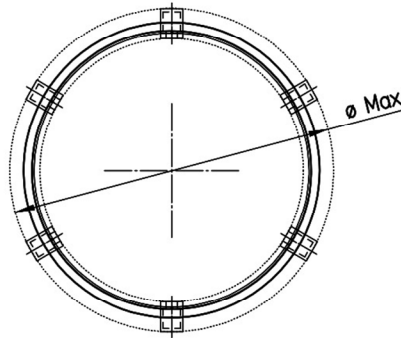
The antistatic tube AT-01 has been developed to remove antistatic charges from materials carried by pneumatic systems.

Installing the antistatic tube you have no more clogging due to accumulation of electrostatically charged materials, thus reducing machine downtimes considerably .

We can make tubes of several diameters, both in stainless steel and galvanised metal, with different fittings according to customer's requirements.

The number of in-line antistatic bars will depend on tube's diameter

AT-01	
Diameter:	50-500 mm
Lengths:	500-2000 mm
Ambient temperature:	0-60°C
Materials:	Iron or inox steel
Operating voltage:	6,5 KV
Power supply:	PS1WR-AF2WR



Dimensioni - Dimension	
ø Max	da - from 50 a - to 500
L Tot	da - from 500 a - to 2000
Le	da - from 390 a - to 1690
Lu	da - from 300 a - to 1600