

FIXING HEAD FH-4P & CP-01



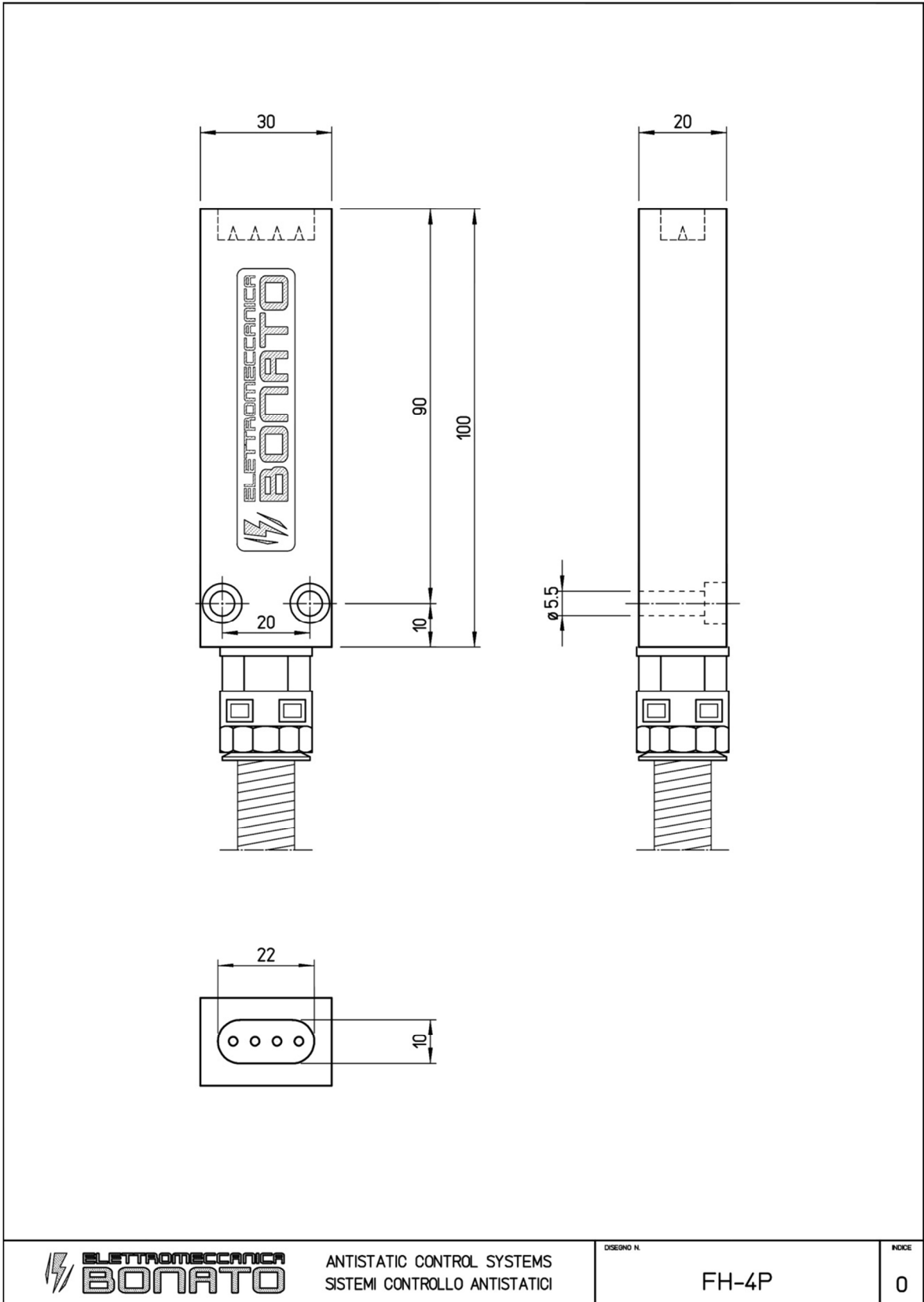
The FH-4P and CP-01 fixing head has been designed to lay down cast film borders in production lines, thus preventing film from reducing its length, in labelling and other sectors.

The stainless steel emitters are connected to high voltage by means of resistors and impede sparks creation, while being safer for the operator.

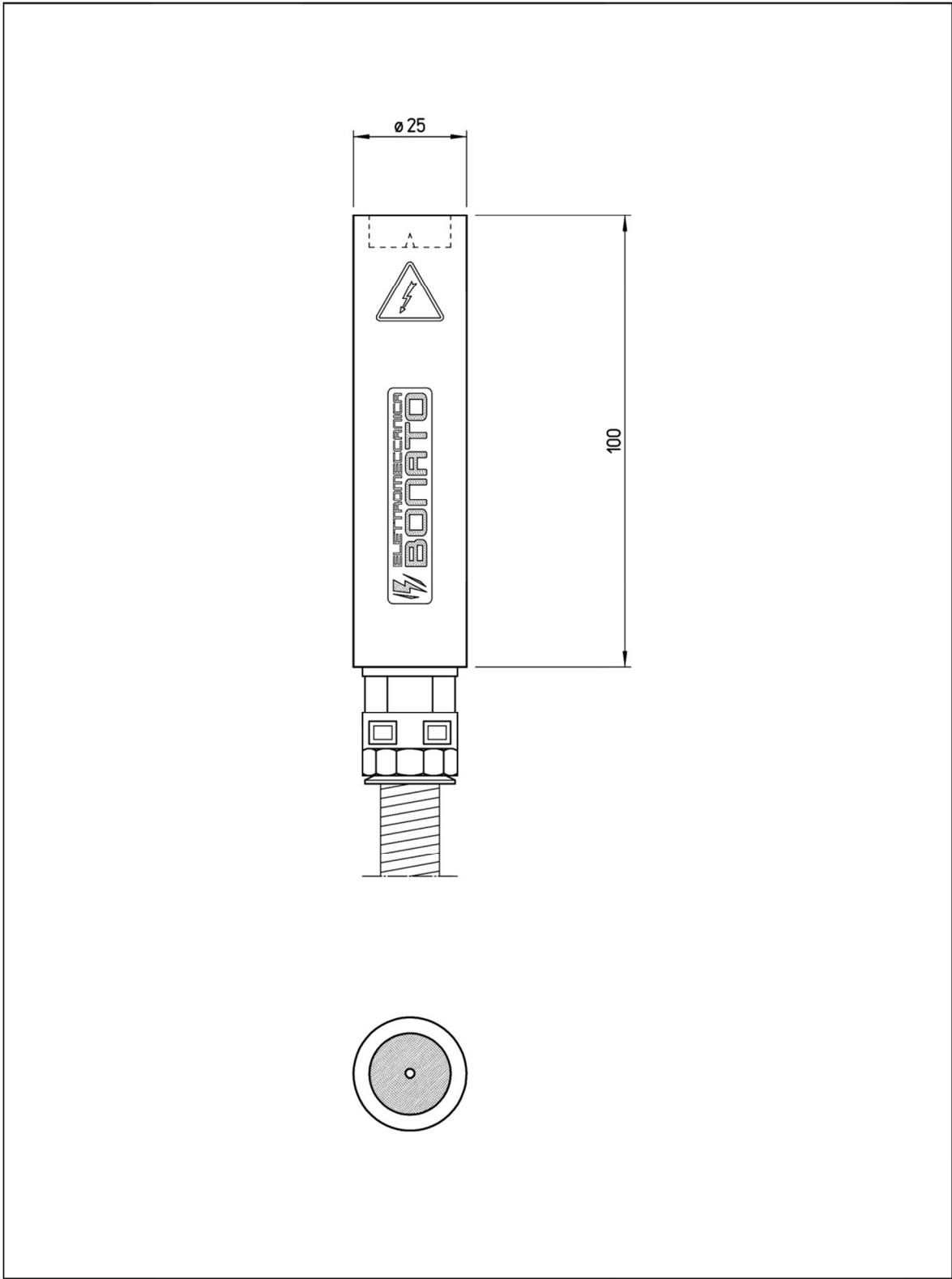
FH-4P and CP-01 fixing head are powered by ECFG-30 charge generator.

FH-4P & CP-01	
Body material	PTFE
Emitters material	Stainless steel
Emitters number	From 1 to 20
Power supply	ECG-30
Working temperature	0° C - 150° C
Option:	Mounting bracket

ANTISTATIC CONTROL SYSTEMS



ANTISTATIC CONTROL SYSTEMS



	ANTISTATIC CONTROL SYSTEMS SISTEMI CONTROLLO ANTISTATICI	DISEGNO N. CP-01	INDICE 0
--	---	---------------------	-------------