

IONIZING BLOWER IB-600



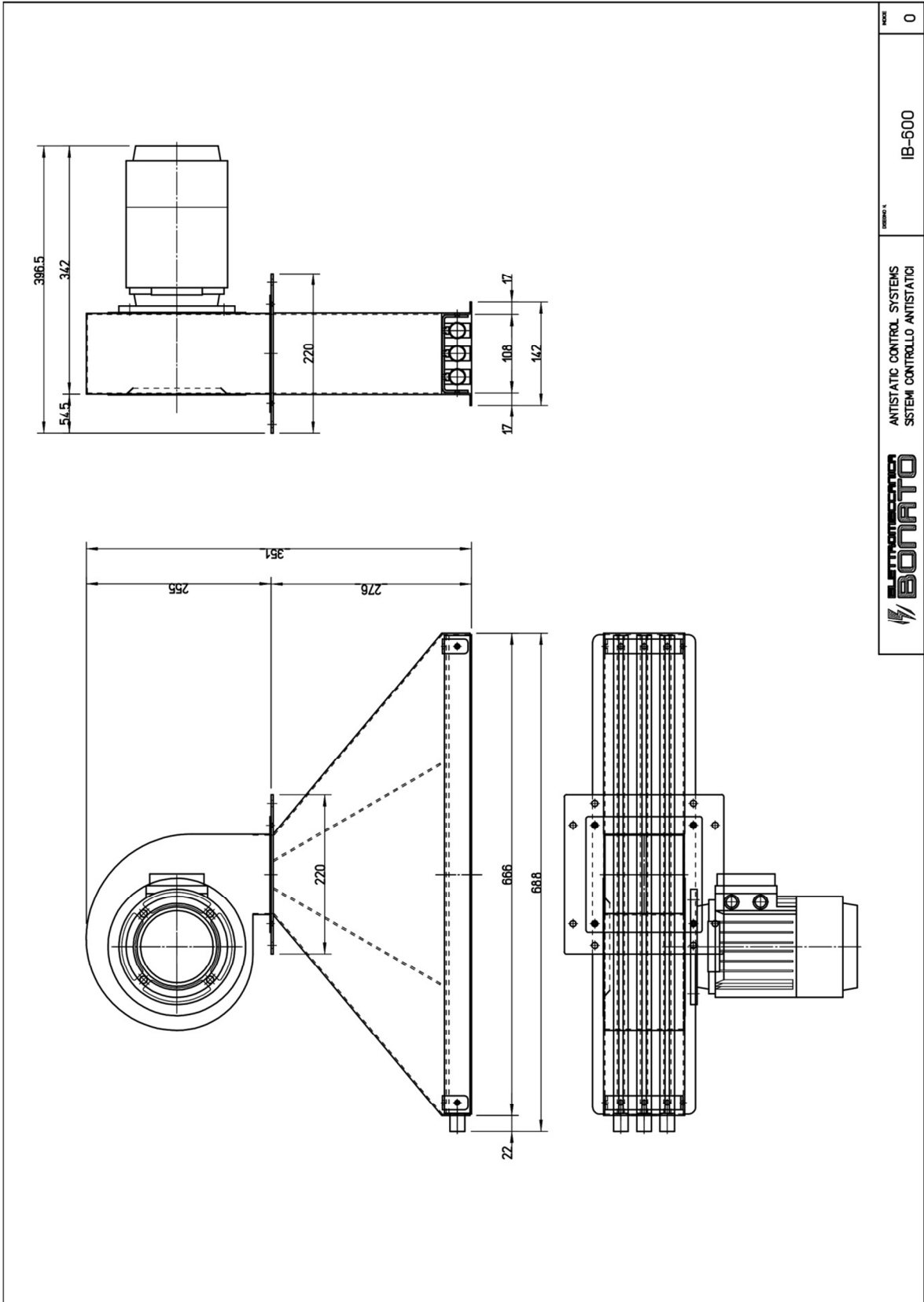
The ionizing blower IB-600 is suitable for applications where it is necessary to have a strong air flow or where ionizing point is hard to reach.

The ionizing blower IB-600 is composed of an electric motor with fan and 3 antistatic bars which are fed by a high tension power supply.

The ionizing air flow can reach 2 meters distance and 1 meter width.

IB-600	
Working distance	2000mm max
Electric motor supply	230 Volt 50/60Hz
Consumption	550 Watt
Weight	18 kg
Working temperature	0-60 °C
Power supply	PS/AF serie
Certification	CE

ANTISTATIC CONTROL SYSTEMS



IB-600	0
ANTISTATIC CONTROL SYSTEMS SISTEM CONTROLLO ANTISTATICI	
